



END-TO-END CONICAL CONNECTION
SOLUTION FOR PREDICTABLE
AND ESTHETIC RESULTS

conipro 
complete

END-TO-END CONICAL CONNECTION SOLUTION FOR PREDICTABLE AND ESTHETIC RESULTS

Alpha-Bio Tec's **ConiPro Complete**, is a simple to use, advanced end-to-end conical connection solution. Suitable for all clinical indications, from single tooth replacement to fully- edentulous, **ConiPro Complete** forges the ultimate connection between biological principles, and an esthetical approach.

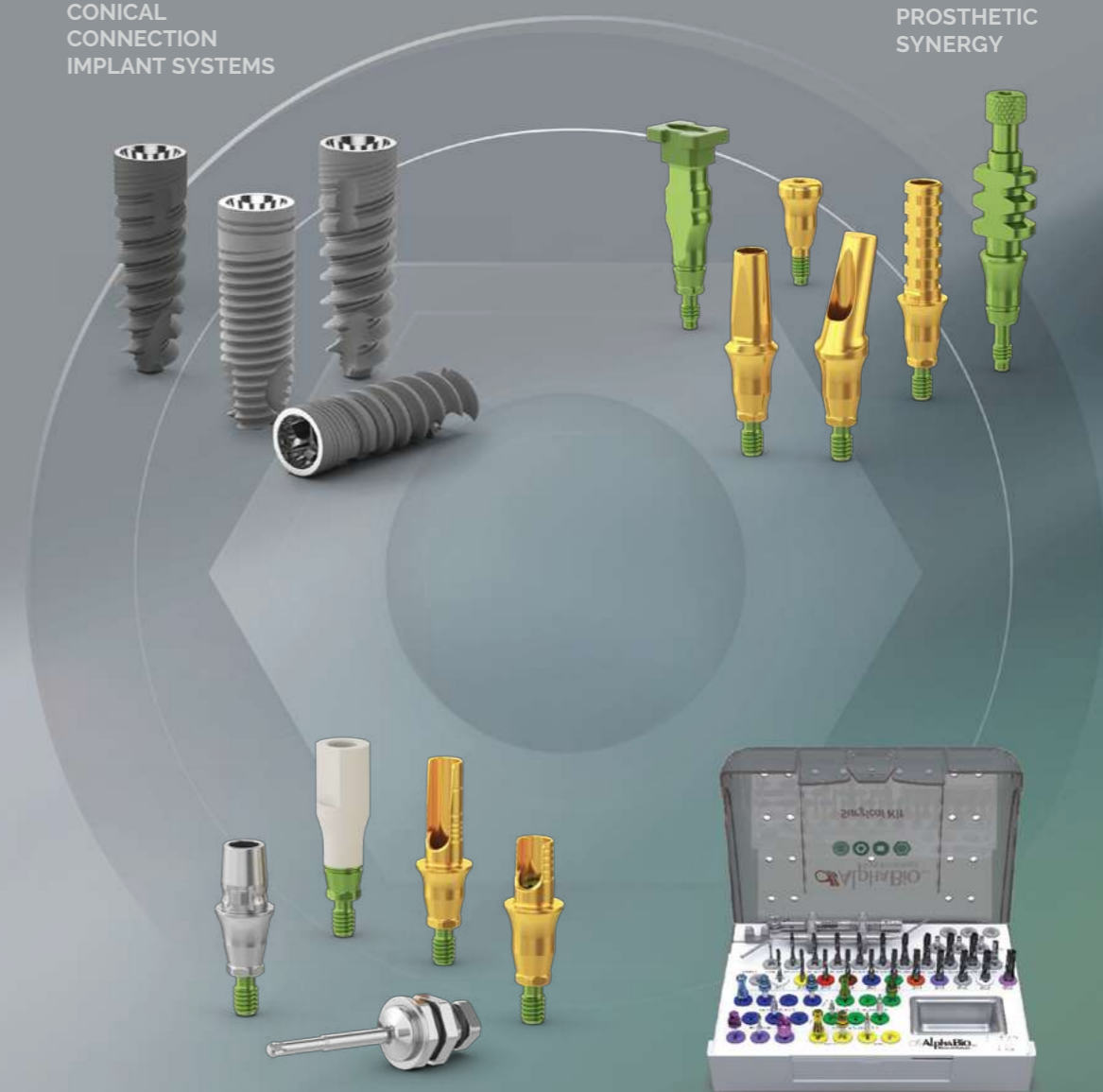
A true 'one-stop' conical connection solution, **ConiPro Complete** seamlessly combines implants, surface selection, and prosthetics, Alpha-Bio Tec's surgical tool kit, and robust digital workflows.

ConiPro Complete manifests the Synergy between predictability & performance of our Conical connection Implant systems & our advanced prosthetic solutions.

conipro
complete

CONICAL CONNECTION IMPLANT SYSTEMS

PROSTHETIC SYNERGY



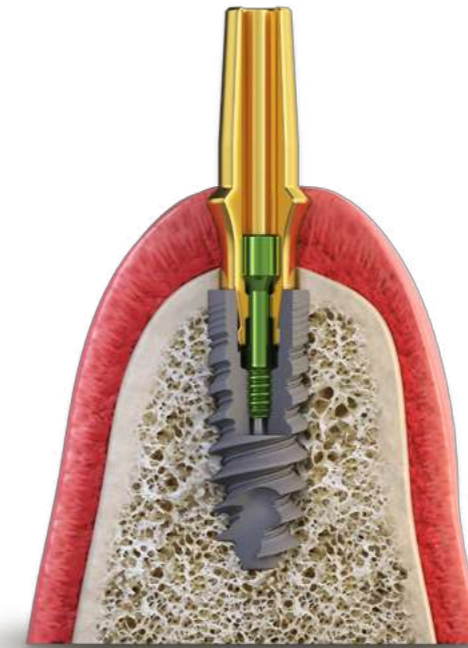
DIGITAL ENABLERS

ALL IN ONE KIT

CONICAL CONNECTION

SECURE CONNECTIONS FOR PREDICTABILITY & ESTHETICS

The ConiPro System enables the platform switching concept, contributing to the preservation of hard & soft tissue around the implant, which is crucial to the implant's stability & long-term success.



Alpha-Bio Tec. Conical Connection Implants have a conical shape connection to the abutment and are available in standard diameters (Ø 3.75 mm | Ø 4.2 mm | Ø 5 mm) & narrow diameters (Ø 3.2 mm | Ø 3.5 mm).

CONICAL CONNECTION

SECURE CONNECTIONS FOR PREDICTABILITY & ESTHETICS

-  Enhanced platform switching
-  Low bacterial leakage
-  Reduced marginal bone loss
-  Tight implant-abutment fit & minimal micromovements
-  Long term esthetic results

CONICAL STANDARD CONNECTION

CS

Ø 3.75 mm | Ø 4.2 mm | Ø 5 mm



CONNECTION
Ø 3.1 mm



HEX
Ø 2.5 mm

CONICAL NARROW CONNECTION

CHC

Ø 3.2 mm | Ø 3.5 mm



CONNECTION
Ø 2.5 mm



HEX
Ø 2.1 mm

CONICAL CONNECTION IMPLANT SYSTEMS

MULTINEO™

MAXIMIZE ON IMMEDIACY

The MultiNeO implant is an active implant designed for immediate & delayed placement for a variety of procedures & clinical indications. The implant's stress relieving features contribute to reduced marginal bone loss & long-term esthetic results.



MULTINEO™ | POWERED BY NiNA

EMPOWERING PREDICTABILITY & PERFORMANCE IN IMMEDIACY

The MultiNeO powered by NiNA implant embodies the synergy between an innovative active implant and an advanced Nano Hydrophilic Surface. The innovative NiNA surface accelerates blood attraction and healing time, enabling increased bone support (BIC).



DFI™

A CYLINDRICAL IMPLANT YOU CAN RELY UPON WITH CONFIDENCE

The legacy implant, DFI, is a cylindrical shaped implant with a slightly tapered apex, suitable for a variety of clinical indications. From a single tooth to full arch restoration, the DFI implant is easily stabilized & controlled during placement & enables you to achieve long-term stability & high clinical survival rates.



CONICAL CONNECTION IMPLANT SYSTEMS

PREDICTABILITY & CONFIDENCE FOR A VARIETY OF CLINICAL INDICATIONS IN ALL BONE TYPES



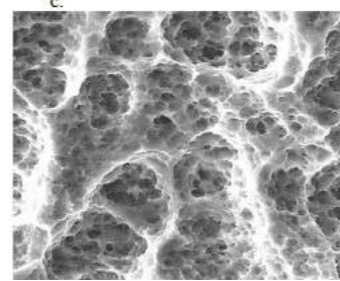
SURFACE TECHNOLOGY

SURFACE TREATMENT FOR ENHANCED PREDICTABILITY & CLINICAL SUCCESS

Alpha-Bio Tec. mechanical & chemical surface treatment processes increase the implant surface area, enhance bone to implant contact & contribute to high survival rates.

NANOTEC™

NanoTec. micron level implant surface is achieved through a mechanical & chemical surface modification process, which involves sandblasting and double thermal acid etching, for the creation of micropores (sized 1-5 microns), assuring excellent osseointegration, high long-term BIC (Bone to Implant Contact) & Increased secondary stability.



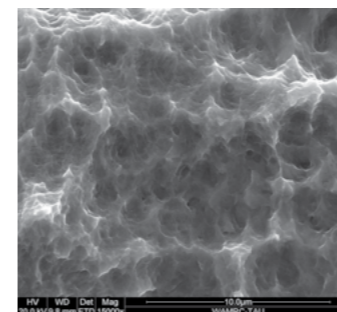
NiNA NANO HYDROPHILIC SURFACE

The innovative super-hydrophilic nanostructure surface consists of multiple levels:

- The basic micron level (1-5 microns) produced from the known and trusted sandblasted and acid etched treatment
- New innovative TiO₂ (Titanium Oxide) structures on the nanometric level
- A protective layer deployed on the implant to maintain the Titanium's natural hydrophilic properties

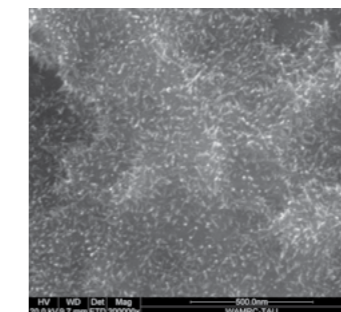
Visible nanoscale TiO₂ structures increase surface area and actively promote osteoblast bone formation. The active attraction of osteoblasts, combined with surface hydrophilicity, enhances a biological response accelerating wound healing processes & increased BIC for enhanced confidence & predictability.

Micro level



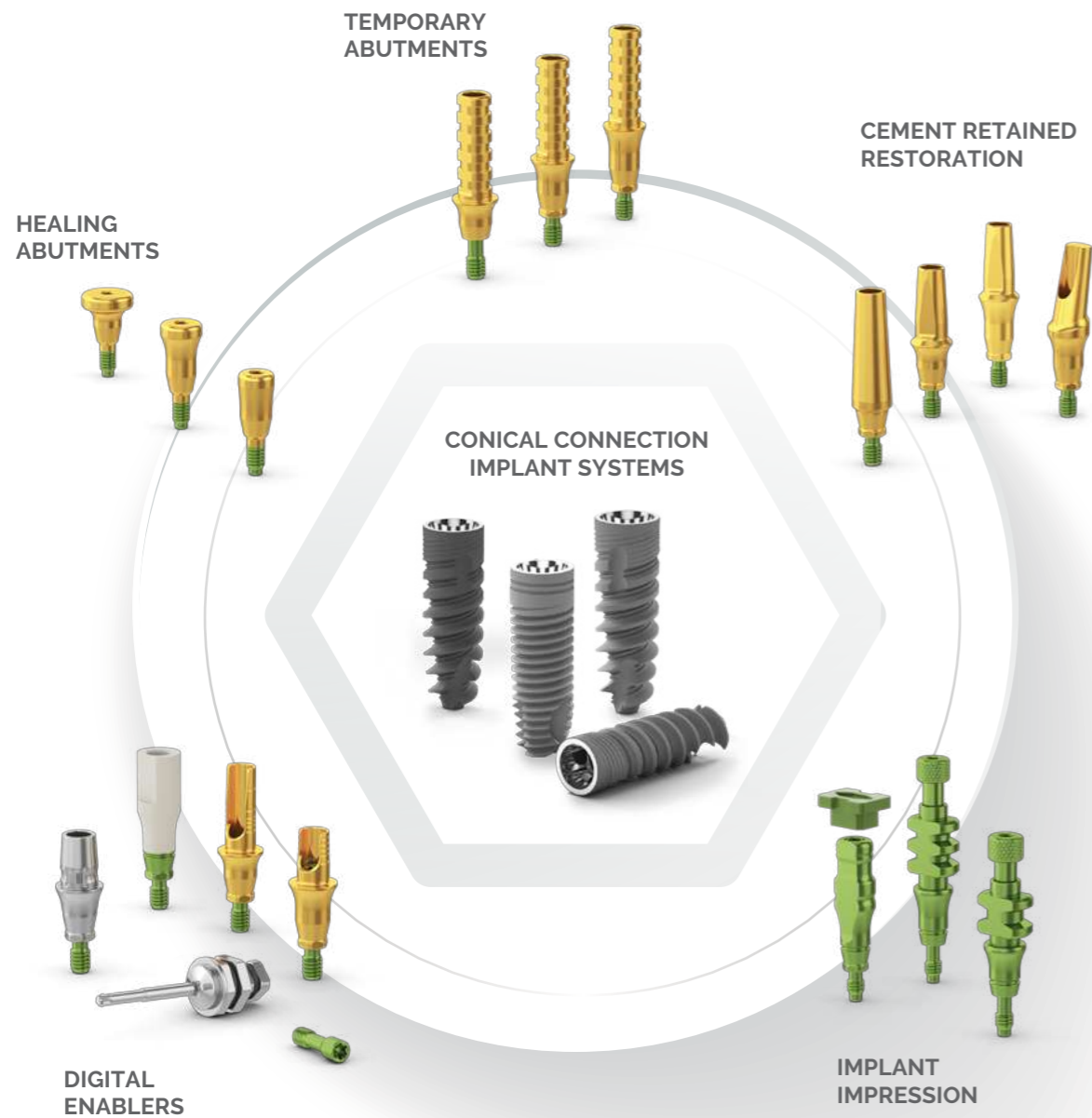
(A) Micro level

Nano level

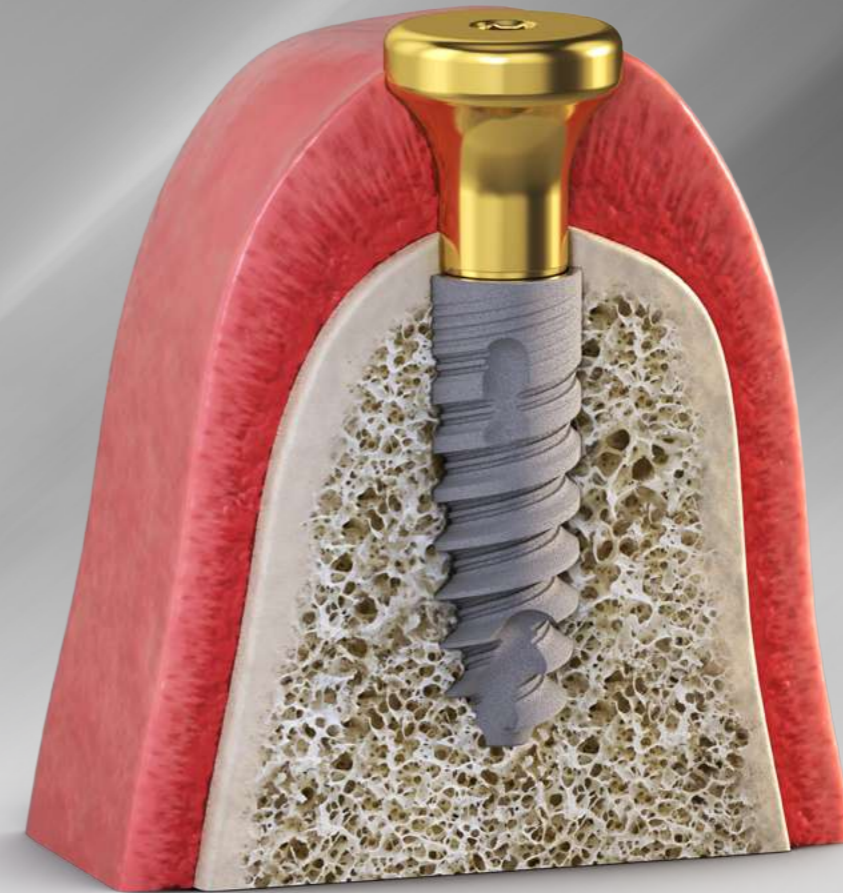


(B) Nano Level X200k with nanostructures

SEM images: 15K magnification of a sandblasted and acid-etched implant (A) vs. 200K magnification of NiNA surface treatment (B), demonstrating TiO₂ structures growth.



**END-TO-END CONICAL CONNECTION
SOLUTION FOR PREDICTABLE
AND ESTHETIC RESULTS**



PROSTHETIC SOLUTIONS ENGINEERED HARMONY, CONICAL SYNERGY

The ConiPro complete prosthetic system is designed for optimal soft tissue management & high esthetics & includes healing abutments, open and closed tray transfers, temporary & cement retained abutments & CAD/CAM components.



New concave emergence profile & gold anodization



A wide range of gingival heights with shared emergence profile



Designed for subcrestal implant placement

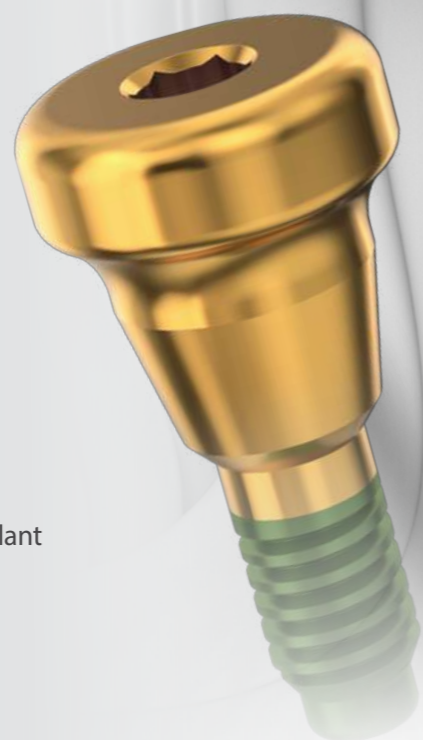


Comprehensive restoration process with high esthetic results



HEALING ABUTMENTS

- Available diameters: \varnothing 3.5mm, \varnothing 4.3mm & \varnothing 5.7mm
- Wide range of gingival heights
- Suitable for cases of subcrestal implant placement
- Simple restoration process
- High esthetic results



OPEN AND CLOSED TRAY TRANSFERS

- New and improved design for ease of use
- Rotational & anti-rotational configurations for open tray transfer
- Marking groove for accurate placement and positioning
- Closed tray transfer with new cap snap



TEMPORARY ABUTMENTS

- Wide range of gingival heights
- Rotational and Anti Rotational abutments
- Suitable for cases of subcrestal implant placement
- Deep grooves
- Gold anodization
- High esthetic results



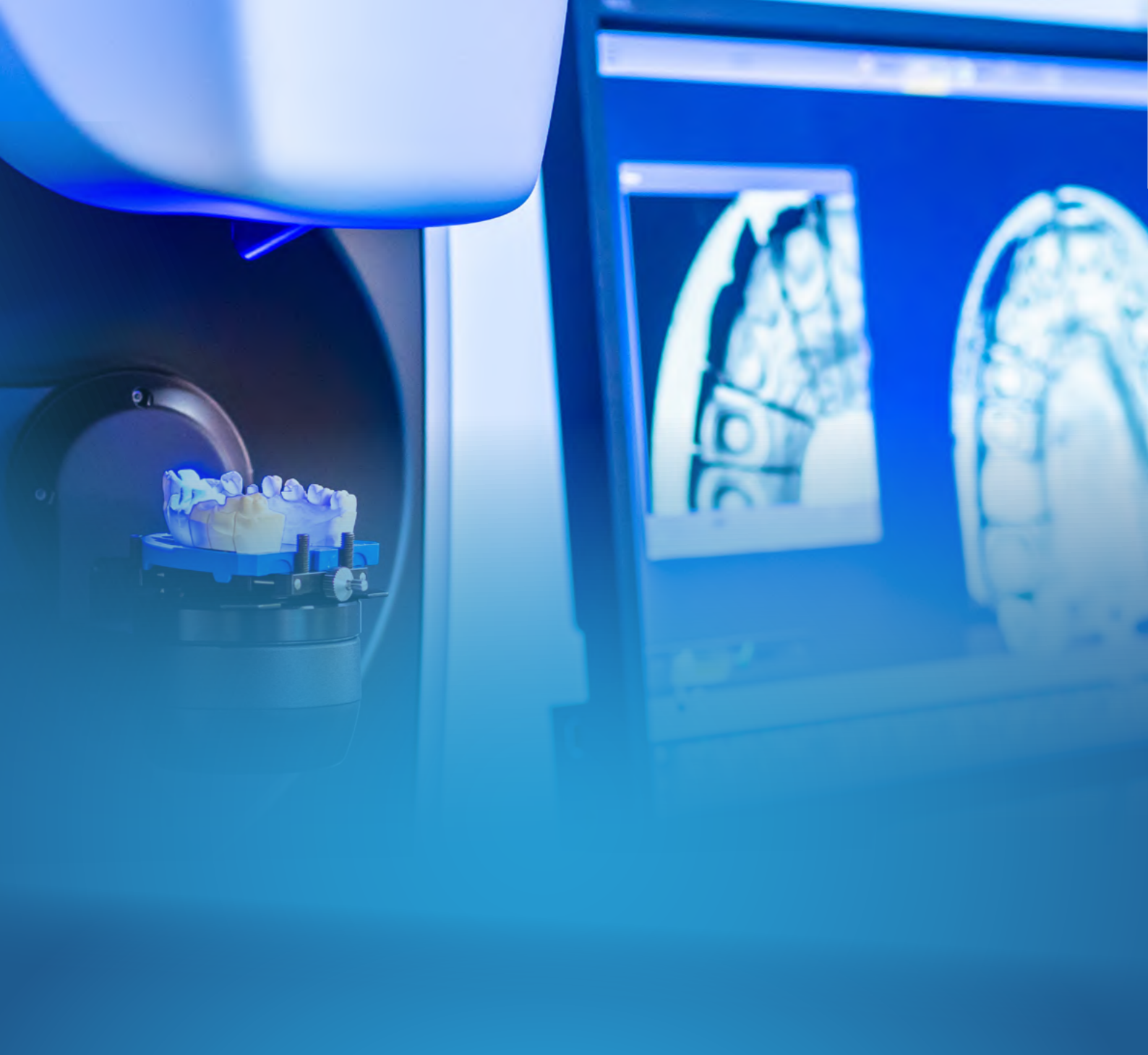
CEMENT RETAINED RESTORATION STRAIGHT & ANGLED TITANIUM ABUTMENTS

- Wide range of gingival heights
- Suitable for cases of subcrestal implant placement
- Gold anodization
- High esthetic results



Note: All prosthetic components are compatible with 1.25mm prosthetic drivers.

■ For the full concave prosthetics portfolio, see pages 20-23



CAD/CAM

ENABLING PRECISE, DIMENSIONALLY STABLE,
CUSTOMIZED RESTORATIONS

CAD/CAM

ENABLING PRECISE, DIMENSIONALLY STABLE, CUSTOMIZED RESTORATIONS

The ConiPro Complete CAD/CAM components feature connections with the exact tolerances & a new concave emergence profile, ensuring best reliable implant restoration fit & high esthetic results.

The CAD/CAM portfolio comprises: Scan Body & Titanium Bases: Omnibase & Concave Ti-Bases.



SCAN BODY
FOR INTRA-ORAL
& DESKTOP SCANNING

Concave emergence profile

Positioning groove

Anodized green base

DESIGN FEATURES

- Concave emergence profile for the prevention of excess pressure on the gingiva
- Positioning groove for assuring correct placement of the scan body onto the implant
- Green anodized screw & base for easy identification of the CS connection.

TECHNICAL INFORMATION:

- Body made of PEEK, a biocompatible material which allows the optical digital detection in the scanned region, when using an intraoral scanner.
- Base made of titanium, also a biocompatible material. The base provides support for the top part, even after repeated use.

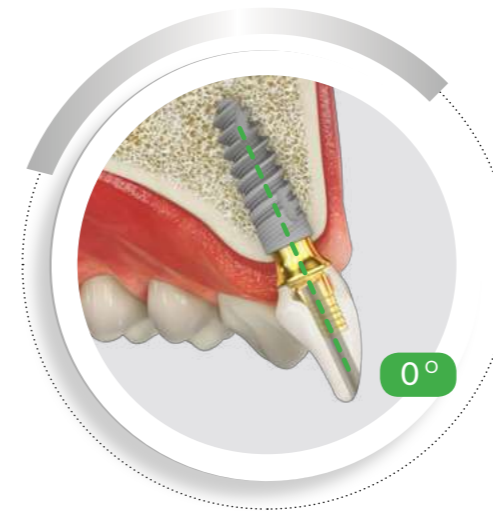
■ Supporting digital libraries: exocad™, 3shape™



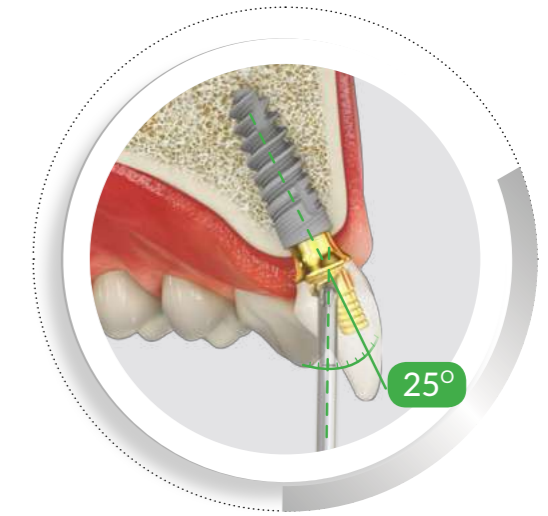
Screw-retained implant-supported restorations have proven advantages over cement-retained restorations, such as retrievability, no risk of residual cement & fewer biological complications. However, it is not always possible to place implants in the ideal angulation for screw retained restorations.

Alpha-Bio Tec's Omnibase abutments are designed to resolve this challenge.

The Omnibase is a Ti-Base used in CAD/CAM screw-retained restorations and enables the dental technician the flexibility to design a restoration with a screw access channel at a favorable position & angle (0°- 25°). This is particularly beneficial for improving esthetics, greater accessibility in the anterior region & in limited occlusal spaces.



SCREW ACCESS CHANNEL AT 0°



SCREW ACCESS CHANNEL AT A FAVORABLE POSITION 25°

OmniBASE™

EXPERIENCE FREEDOM FLEXIBILITY & ESTHETICS FROM A NEW ANGLE

The Omnibase Ti-Bases have a narrow (∅ 4.3mm) concave emergence profile & are suitable for cases of subcrestal implant placement.

DESIGN FEATURES & CLINICAL BENEFITS

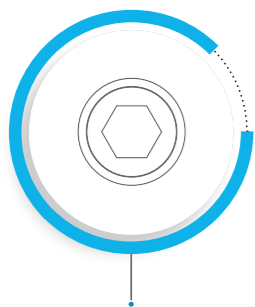
- Standard & customizable Ti-bases
- A wide range of gingival heights
- Retrievable screw for ease of use & maintenance
- New concave emergence profile & gold anodization
- Suitable for subcrestal implant placement
- High esthetic results

■ Supporting digital libraries: exocad™, 3shape™ ■ For the full Omnibase system portfolio, see pages 24-25

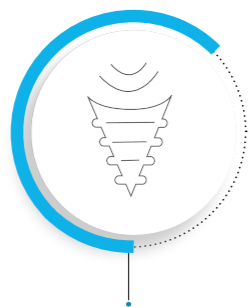


CONCAVE TI-BASES*

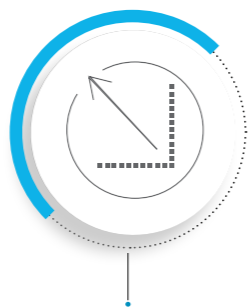
DESIGN FEATURES AND CLINICAL BENEFITS



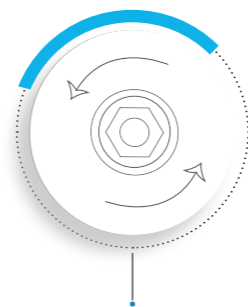
ENGAGED TI-BASES
FOR SINGLE TOOTH
RESTORATION



NARROW CONCAVE
EMERGENCE PROFILE



WIDE RANGE
OF GINGIVAL
HEIGHTS



FOR CONICAL (CS & CHC)
& INTERNAL HEX
CONNECTION IMPLANTS

Supporting digital libraries: exocad™, 3shape™

VISIT OUR WEBSITE TO DOWNLOAD ALPHA-BIO TEC.'S DIGITAL LIBRARIES FOR
CAD/CAM SYSTEMS

* Labeled as 'Sirona Ti-Bases'

For the full Concave Ti-Bases portfolio, see page 26



conipro[®]
complete

COMPLETE PROSTHETIC PORTFOLIO



MANUAL
TIGHTENING

30 NCM
TIGHTENING
TORQUE

Ø 3.5



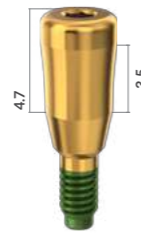
3931

Ø 3.5



3932

Ø 3.5



3933

Ø 3.5



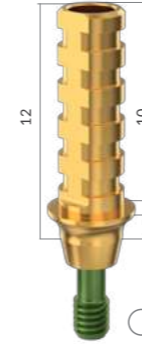
3934

Ø 3.5



3935

Ø 4.3



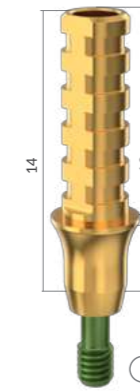
3901

Ø 4.3



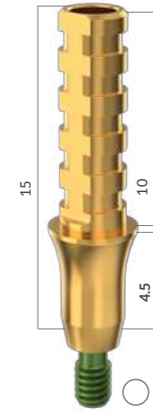
3902

Ø 4.3



3903

Ø 4.3



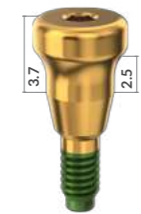
3904

Ø 4.3



3941

Ø 4.3



3942

Ø 4.3



3943

Ø 4.3



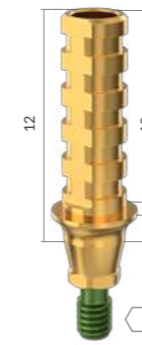
3944

Ø 4.3



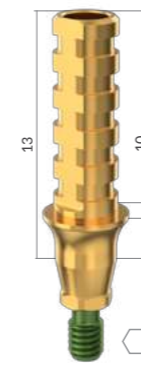
3945

Ø 4.3



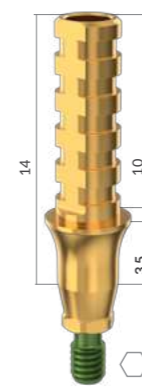
3911

Ø 4.3



3912

Ø 4.3



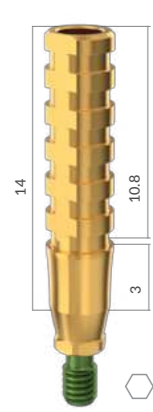
3913

Ø 4.3



3914

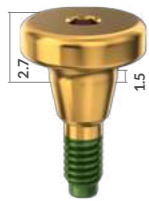
Ø 3.4



3915



Ø 5.7



3951

Ø 5.7



3952

Ø 5.7



3953

Ø 5.7



3954

Ø 5.7

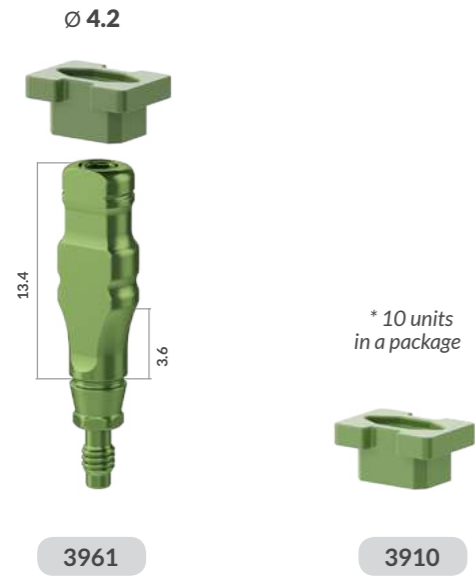


3955



MANUAL TIGHTENING

CLOSED TRAY

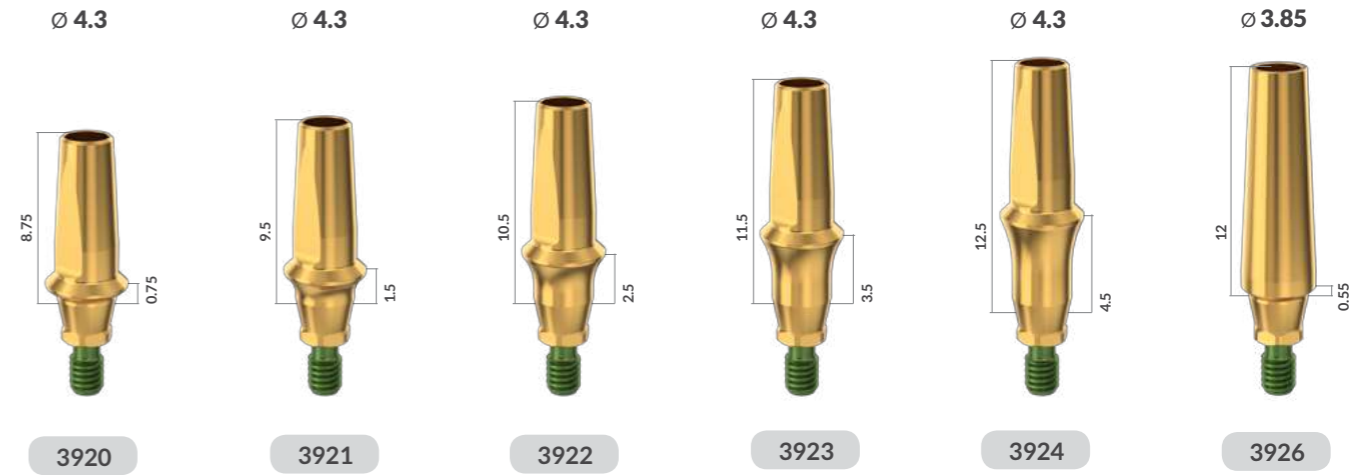


SCAN BODY



STRAIGHT TITANIUM ABUTMENTS

30 NCM TIGHTENING TORQUE



OPEN TRAY



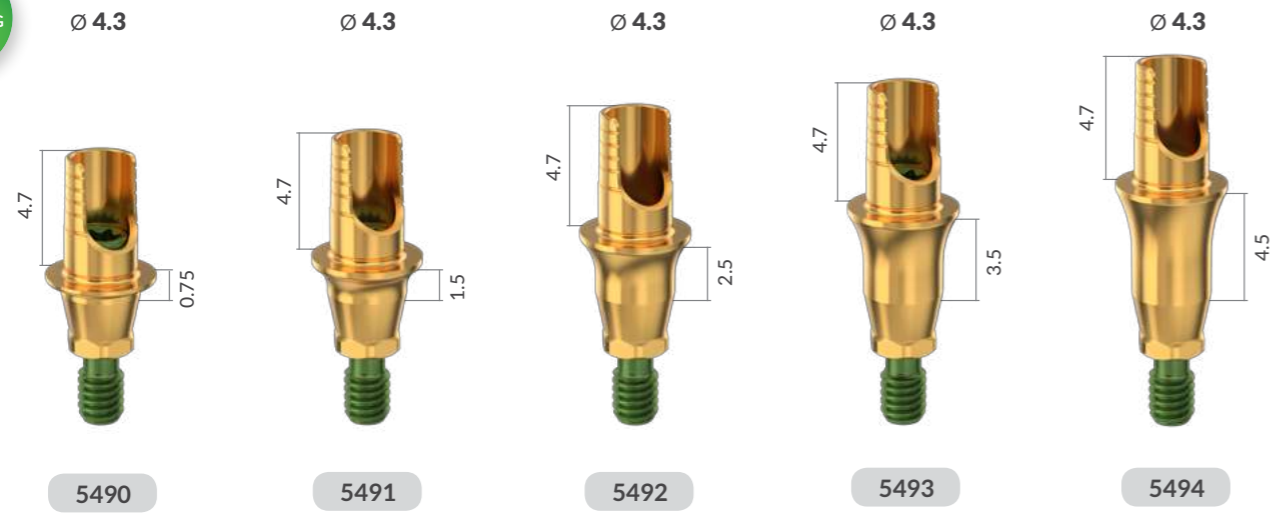
ANGLED TITANIUM ABUTMENTS



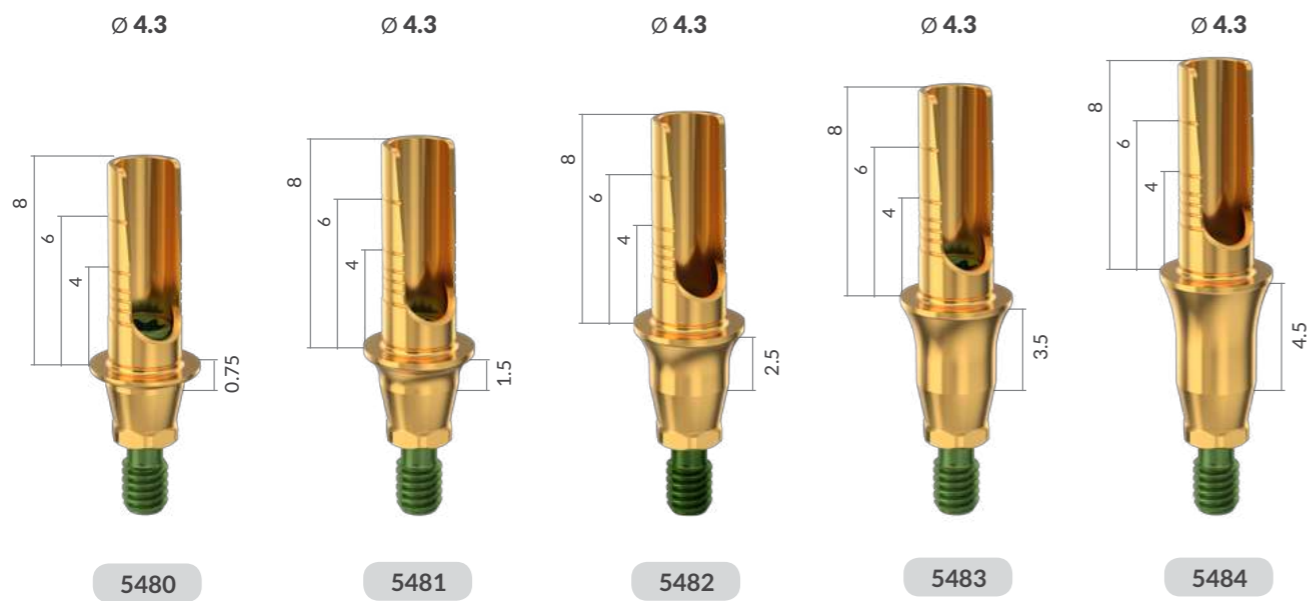


30 NCM
TIGHTENING
TORQUE

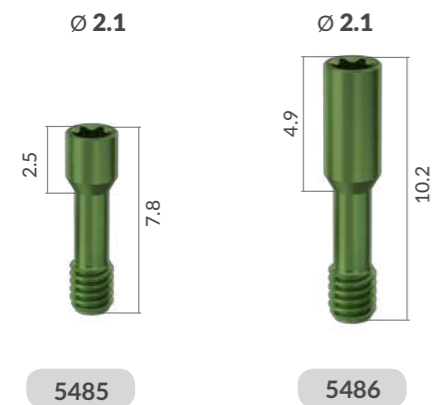
STANDARD TI-BASES



CUSTOMIZABLE TI-BASES



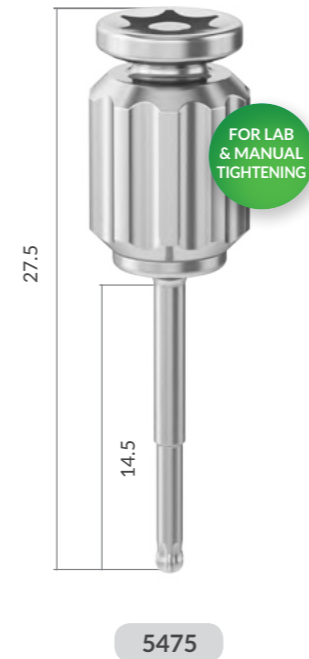
TX SCREWS



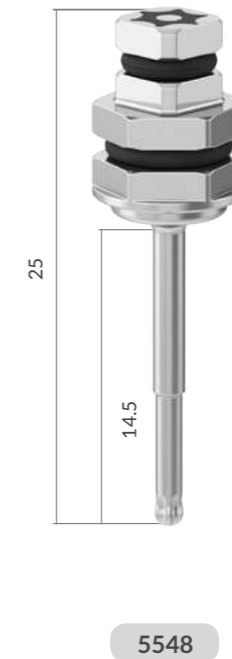
FOR THE OMNIBASE INSTRUCTIONAL GUIDE STEP BY STEP, SCAN THE QR CODE.



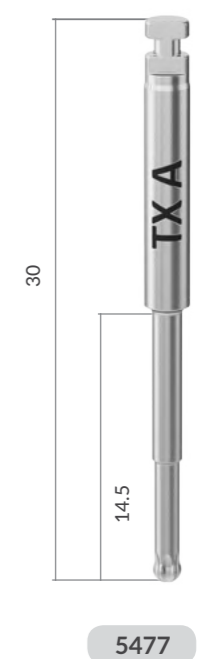
MANUAL TX DRIVER ANGLED STANDARD



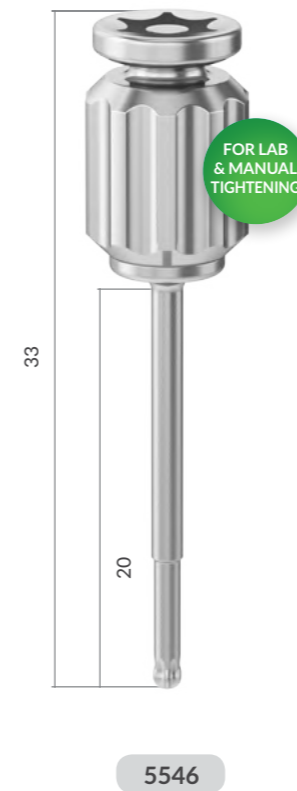
RATCHET TX DRIVER ANGLED STANDARD



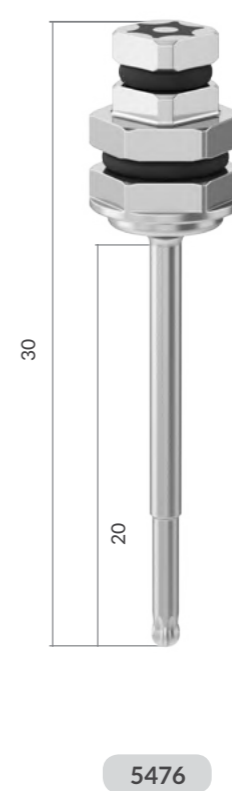
MOTOR TX DRIVER ANGLED STANDARD



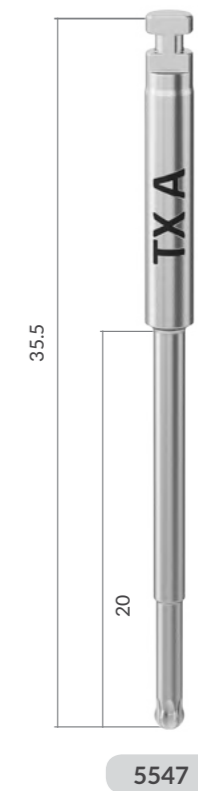
MANUAL TX DRIVER ANGLED LONG



RATCHET TX DRIVER ANGLED LONG



MOTOR TX DRIVER ANGLED LONG

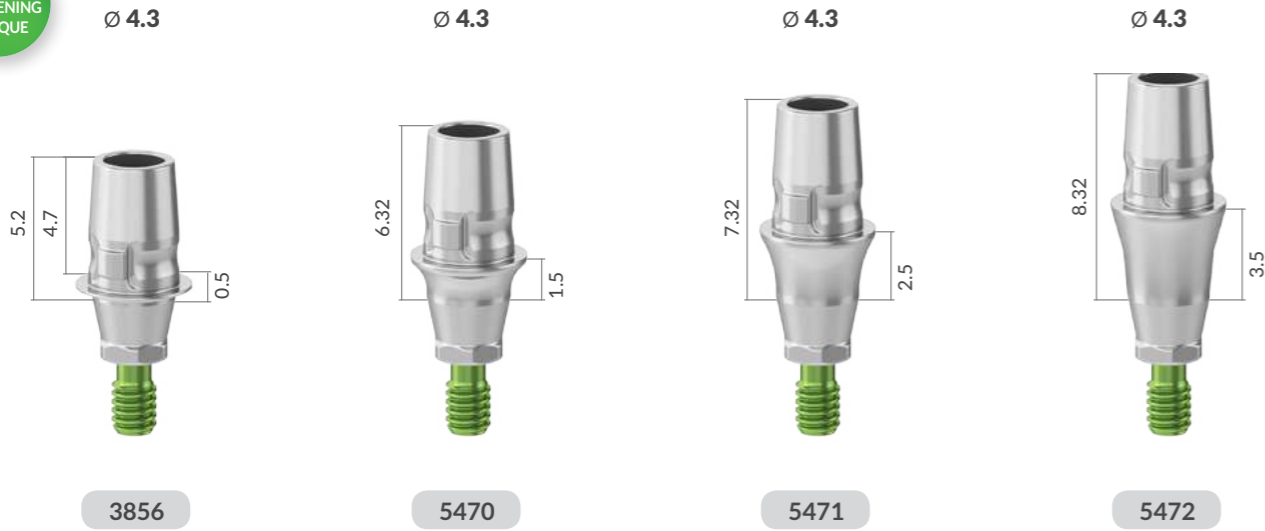


CONCAVE TI-BASES



COMPLETE CONICAL CONNECTION SYSTEM SEAMLESSLY CONNECTED WORKFLOW

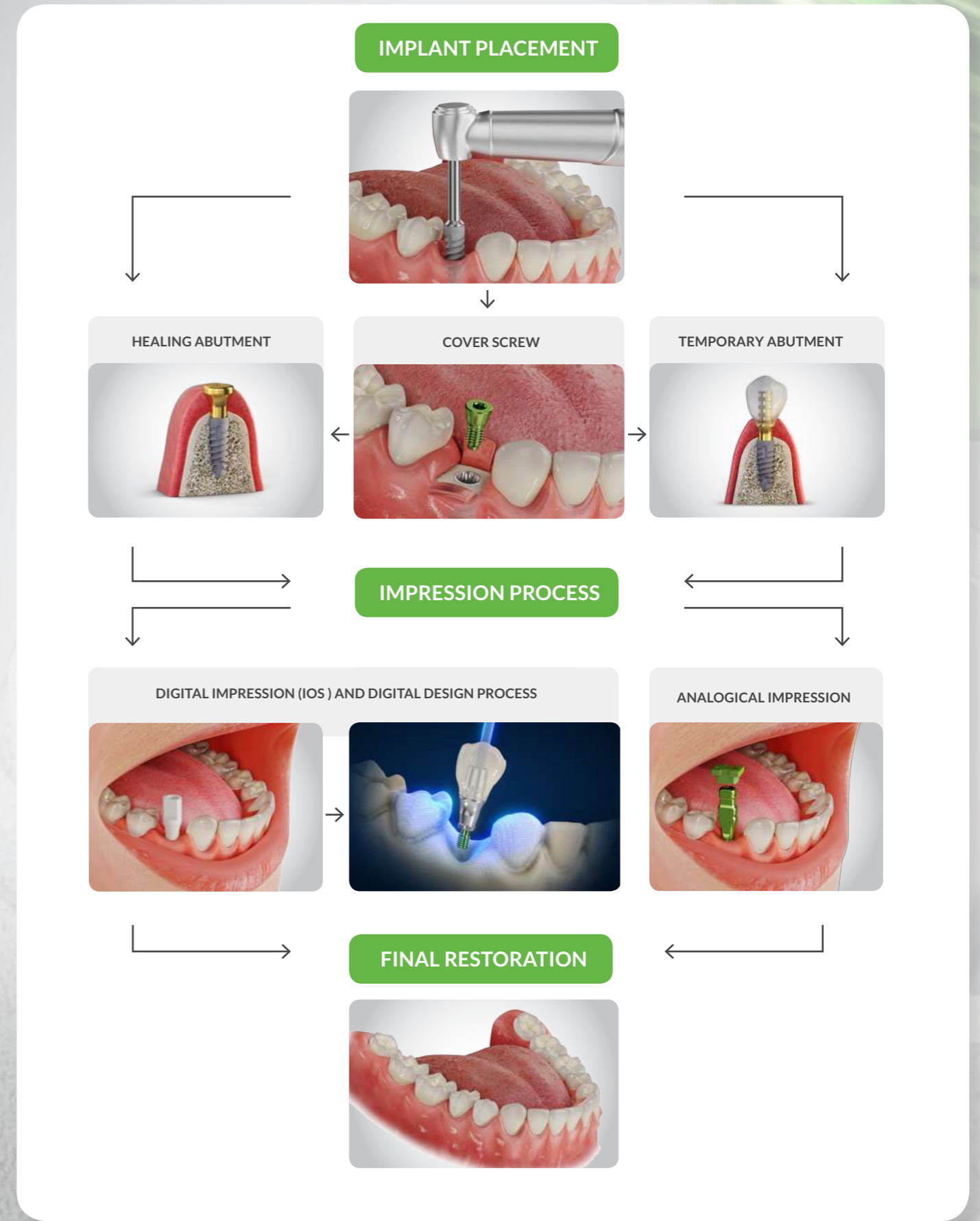
30 NCM
TIGHTENING
TORQUE



CLASSICAL CONICAL CONNECTION PROSTHETIC LINE



FOR THE FULL RANGE OF OUR CONICAL PROSTHETIC SOLUTIONS & SIRONA TI-BASES, DOWNLOAD ALPHA-BIO TEC. PRODUCT CATALOG:





995-0444 R1/05.2024



Alpha-Bio Tec's products are CE-marked in accordance with the EU Medical Device Regulation MDR 2017/745 of 5 April 2017.

Alpha-Bio Tec's complies with EN ISO 13485:2016. Product availability may vary between countries.

www.alpha-bio.net